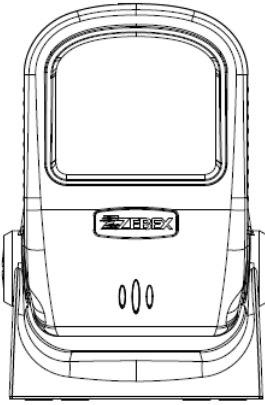






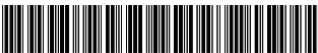

# [ Buyer's Guide ]

## Z-8072 Ultra 2D Image Hands-Free Scanner

### Standard Device

	PIN-OUT CONFIGURATION	
	PIN	FUNCTION
		RS-232C      USB
	1	USB Power
	2	+5V
	3	D-
	4	RTS_TTL
	5	GND
	6	TXD_TTL
	7	RXD_TTL
8	D+	
9	CTS_TTL	
10		

### Ordering Information

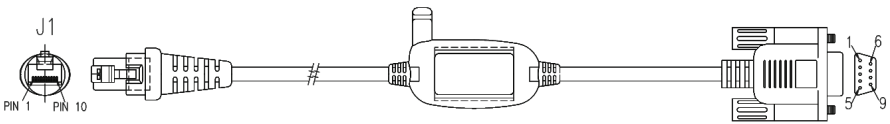

Barcode	P/N	Model Name	Remark
	88F-07ULUB-001	Z-8072 Ultra (U) (B)	2D Image Hands-Free Scanner, Black, USB Cable
	88F-07ULRP-001	Z-8072 Ultra (R) (B)	2D Image Hands-Free scanner, Black, RS232 Cable
	88F-07ULRP-A01	Z-8072 Ultra (R) (B)	2D Image Hands-Free scanner, Black, RS232 Cable, AU adapter
	88F-07ULRP-E01	Z-8072 Ultra (R) (B)	2D Image Hands-Free scanner, Black, RS232 Cable, EU adapter
	88F-07ULRP-K01	Z-8072 Ultra (R) (B)	2D Image Hands-Free scanner, Black, RS232 Cable, UK adapter
	88F-07ULRP-U01	Z-8072 Ultra (R) (B)	2D Image Hands-Free scanner, Black, RS232 Cable, US adapter

# [ Buyer's Guide ]

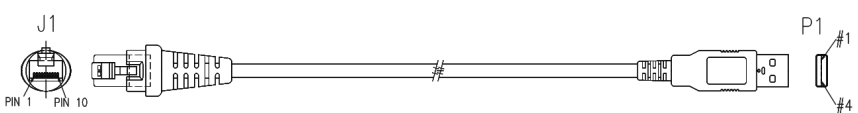

## Standard Cable Options

- The standard cable is gray, straight, and 2 meters (6.5 feet) in length.
- The standard cable options include RS-232 and USB.
- Special Order Requirement:  
ZEBEX is capable of supplying special customized cables, given that customers provide detailed pin configurations. Please contact your sales representative to further discuss the minimum order quantity of the special cables.

### 1. RS-232C Cable – DTE pin out

		PIN-OUT CONFIGURATION	
		DB-9 (F)	FUNCTION
		2	TX
		3	RX
		7	CTS
		8	RTS
		5	GND
		9	+5V
Item Part No.	171-42R442-200		

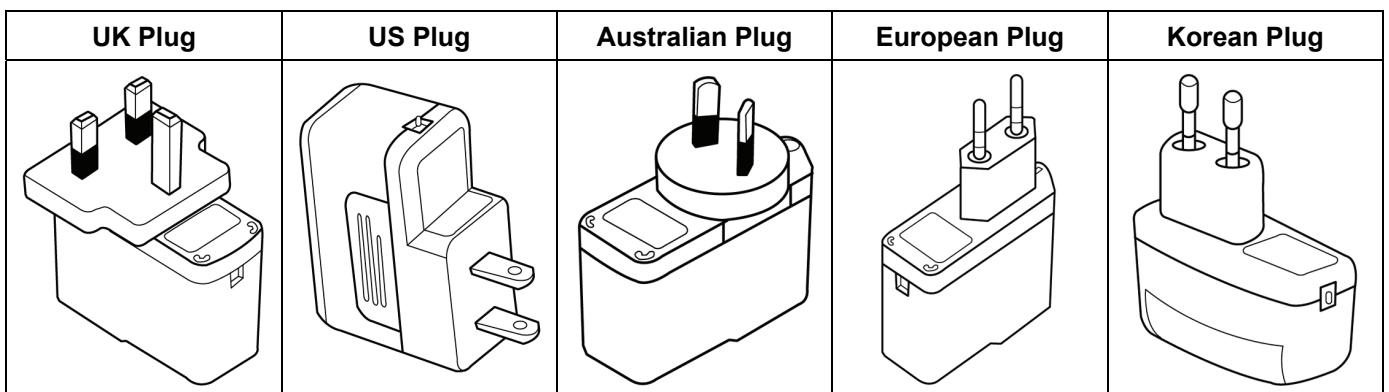
### 2. USB Cable –USB Type A

		Connector	Function
		1.	VCC
		2.	D-
		3.	D+
		4.	VSS
Item Part No.	171-42U304-200		

\* Additional driver, firmware, or software may be required for activating virtual COM.

## Power Adapter

Z-8072 Ultra requires a minimum of 400mA at 5 VDC power and consumes power from the host machine. If the host can not supply sufficient power, ZEBEX provides adapters of the following plug types:



\* The figures are for reference only. The adaptor form factor is subject to change without prior notice.