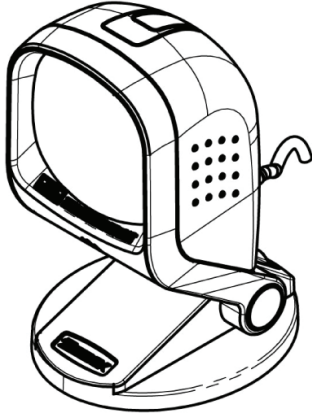


Z-6170 Hands-Free Single-Laser Omnidirectional Scanner

Standard Device



PIN-OUT CONFIGURATION			
PIN	FUNCTION		
	KEYBOARD	RS-232C	USB
1			USB Power
2	+5V		
3	KB_CLK		D-
4	PC_CLK	RTS_TTL	
5	GND		
6		TXD_TTL	
7		RXD_TTL	
8	KB_DATA		D+
9	PC_DATA	CTS_TTL	
10			

Ordering Information

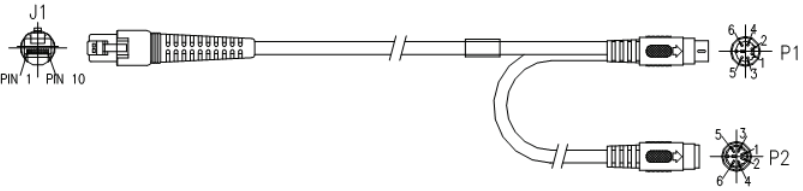


Barcode	P/N	Model Name	Remark
	88F-70GTKP-000	Z-6170(K)	White Housing w/PS/2 cable
	88F-70GTKP-001	Z-6170(K)(B)	Black Housing w/PS/2 cable
	88F-70GTRP-000	Z-6170(R)	White Housing w/RS-232 cable (DTE pin-out)
	88F-70GTRP-001	Z-6170(R)(B)	Black Housing w/RS-232 cable (DTE pin-out)
	88F-70GTUB-000	Z-6170(U)	White Housing w/USB cable
	88F-70GTUB-001	Z-6170(U)(B)	Black Housing w/USB cable
	88F-70GTKP-0NB	Z-6170(K)	White Housing w/PS/2 cable w/o ZEBEX logo
	88F-70GTKP-0N1	Z-6170(K)(B)	Black Housing w/PS/2 cable w/o ZEBEX logo
	88F-70GTRP-0NB	Z-6170(R)	White Housing w/RS-232 cable (DTE pin-out) w/o ZEBEX logo
	88F-70GTRP-0N1	Z-6170(R)(B)	Black Housing w/RS-232 cable (DTE pin-out) w/o ZEBEX logo
	88F-70GTUB-0NB	Z-6170(U)	White Housing w/USB cable w/o ZEBEX logo
	88F-70GTUB-0N1	Z-6170(U)(B)	Black Housing w/USB cable w/o ZEBEX logo

[Buyer's Guide]

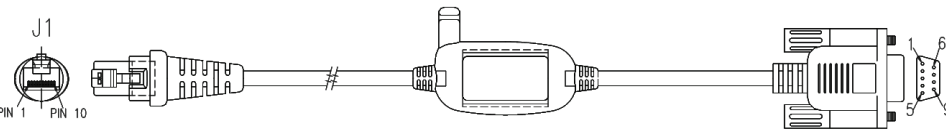

Standard Cable Options

- The standard cable is gray, straight, and 2 meters (6.5 feet) in length.
- The standard cable options include PS/2, RS-232, and USB cable.
- Special Order Requirement:
ZEBEX is capable of supplying special customized cables, given that customers provide detailed pin configurations. Please contact your sales representative to further discuss the minimum order quantity of the special cables.

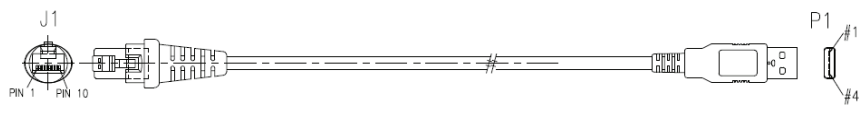

1. Keyboard Wedge Cable (for PS/2)

		PIN-OUT CONFIGURATION			
		MINI DIN (M)		MINI DIN(F)	
		DIN	FUNCTION	DIN	FUNCTION
		1.	PC Data	1.	KB Data
		2.	N.C.	2.	N.C.
		3.	GND	3.	GND
		4.	+5V	4.	+5V
		5.	PC Clock	5.	KB Clock
		6.	N.C.	6.	N.C.
Item Part No.	171-42K100-200				
	171-42K102-200				

2. RS-232 Cable

DTE PINOUT 		PIN-OUT CONFIGURATION	
		DB-9 (F)	FUNCTION
		2	TX
		3	RX
		7	CTS
		8	RTS
		5	GND
		9	+5V
Item Part No.	171-42R442-200		

3. HID USB / Virtual COM USB/ OPOS USB Cable

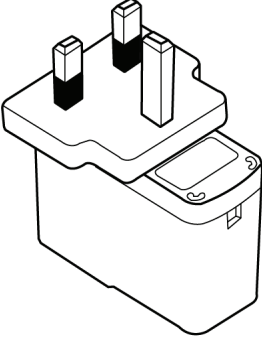
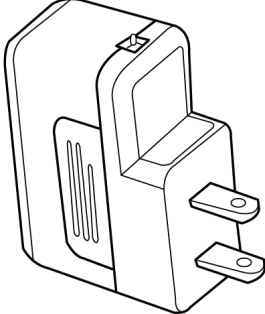
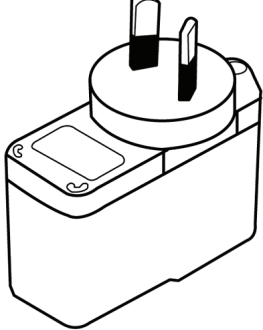
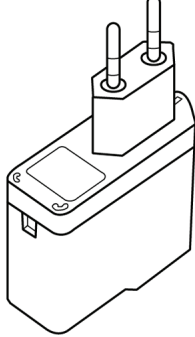
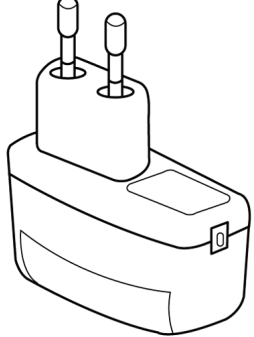
		USB TYPE A CONNECTOR	FUNCTION
		1.	VCC
		2.	D-
		3.	D+
		4.	VSS
Item Part No.	171-42U304-200		

* Additional software installation may be necessary for activating USB virtual COM or OPOS interface.

[Buyer's Guide]

Power Adapter

Z-6170 normally requires 270mA at 5 VDC power and consumes power from the host machine. If the host can not supply sufficient power, ZEBEX provides adapters of the following plug types:

UK Plug	US Plug	Australian Plug	European Plug	Korean Plug
				

* The figures are for reference only. The adaptor form factor is subject to change without prior notice.