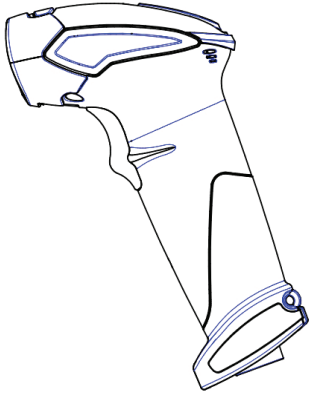










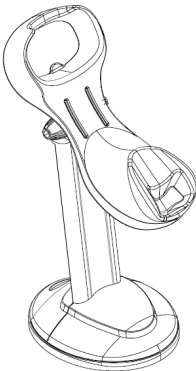


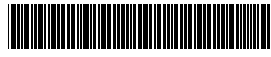

# [ Buyer's Guide ]

## Z-3191LE Gun Type Handheld Laser Scanner

### Standard Device

	PIN-OUT CONFIGURATION			
	RJ 1.	RTS_TTL	RJ 6.	RX_TTL
	RJ 2.	KB Data	RJ 7.	KB Clock
	RJ 3.	PC Clock	RJ 8.	+5V
	RJ 4.	GND	RJ 9.	PC Data
	RJ 5.	CTS_TTL	RJ10.	TX_TTL
Barcode	P/N	Model Name	Remark	
	88H-91LEZT-030	Z-3191LE	White housing (device only, w/o cable)	
	88H-91LEZT-031	Z-3191LE (B)	Black housing (device only, w/o cable)	
	88H-91LEKP-030	Z-3191LE (K)	White housing w/PS/2 cable	
	88H-91LEKP-031	Z-3191LE (K)(B)	Black housing w/PS/2 cable	
	88H-91LERP-030	Z-3191LE (R)	White housing w/RS-232 cable	
	88H-91LERP-031	Z-3191LE (R)(B)	Black housing w/RS-232 cable	
	88H-91LEUB-030	Z-3191LE (U)	White housing w/USB cable	
	88H-91LEUB-031	Z-3191LE (U)(B)	Black housing w/USB cable	

### Optional Accessory

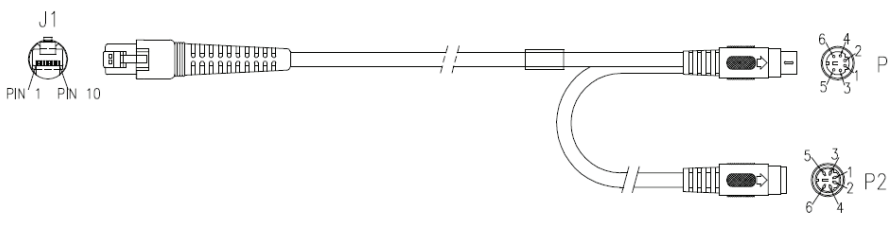
	Description	Stand for Z-319X Series	
	Barcode	P/N	Remark
		88H-90ST00-000	White Housing
		88H-90ST00-001	Black Housing
		88H-90ST00-0NB	White Housing w/o ZEBEX logo
		88H-90ST00-0N1	Black Housing w/o ZEBEX logo

# [ Buyer's Guide ]


## Cable Options

- The standard cable is gray, straight, and 2 meters (6.5 feet) in length.
- The standard cable options include PS/2, RS-232, and USB cable.
- Special Order Requirement:  
ZEBEX is capable of supplying special customized cables, given that customers provide detailed pin configurations. Please contact your sales representative to further discuss the minimum order quantity of the special cables.

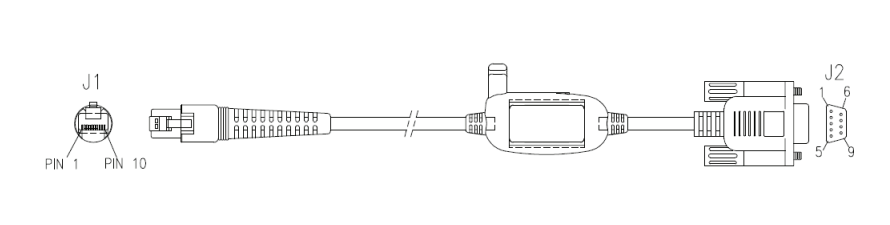
### 1. Keyboard Wedge Cable (for PS/2)





PIN-OUT CONFIGURATION			
MINI DIN (M)		MINI DIN(F)	
1.	PC Data	1.	KB Data
2.	N.C.	2.	N.C.
3.	GND	3.	GND
4.	+5V	4.	+5V
5.	PC Clock	5.	KB Clock
6.	N.C.	6.	N.C.

Item Part No.	171-10K102-200	
---------------	----------------	---

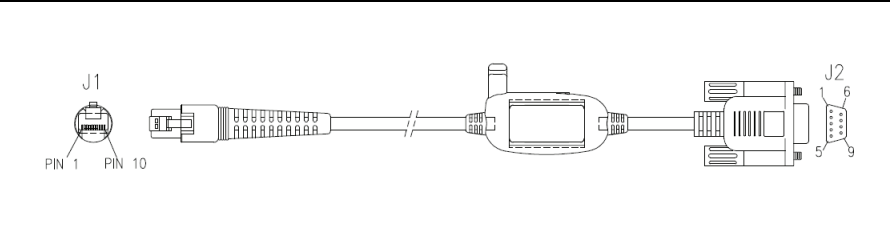
### 2. RS-232C Communication Cable (DTE pin out)




PIN-OUT CONFIGURATION	
DB-9 (F)	FUNCTION
2	TX
3	RX
7	CTS
8	RTS
5	GND
9	+5V Input

Item Part No.	171-10R442-200	
	171-10R443-200	

### 3. RS-232C Communication Cable (DCE pin out) (non-standard option)



PIN-OUT CONFIGURATION	
DB-9 (F)	FUNCTION
2	RX
3	TX
7	RTS
8	CTS
5	GND
9	+5V Input

Item Part No.	171-10R434-200	
---------------	----------------	---

# [ Buyer's Guide ]

## 4. HID USB / Virtual COM USB / OPOS USB Interface with Detachable Cable Type A

	PIN-OUT CONFIGURATION	
	USB TYPE A CONNECTOR	FUNCTION
	1.	VCC
	2.	D-
	3.	D+
4.	VSS	
Item Part No.	171-10U304-200	

\* Additional software installation may be necessary for activating virtual COM or OPOS USB interface.

### **Power Adapter**

Z-3191LE requires a minimum of 110mA at 5 VDC power and consumes power from the host machine. If the host can not supply sufficient power, ZEBEX provides adapters of the following plug types:

UK Plug	US Plug	Australian Plug	European Plug	Korean Plug

\* The figures are for reference only. The adaptor form factor is subject to change without prior notice.