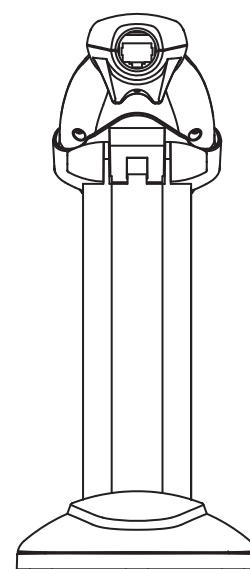
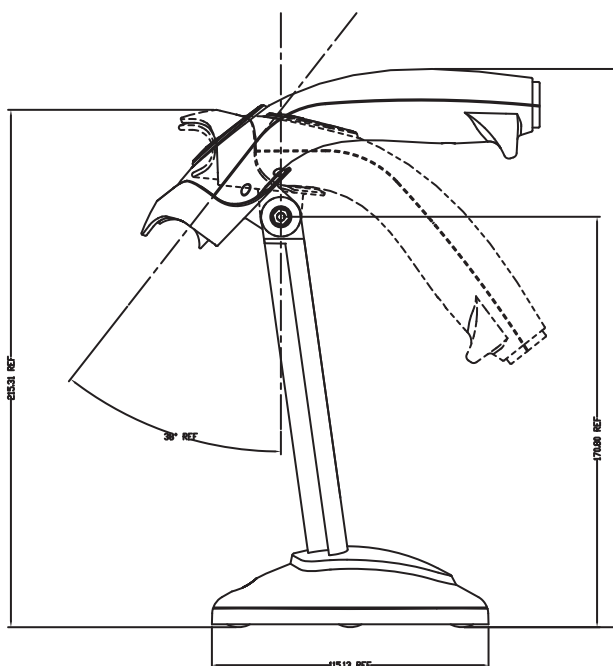
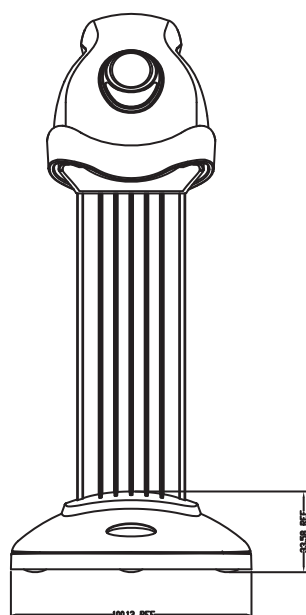
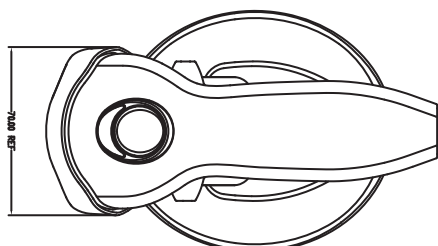
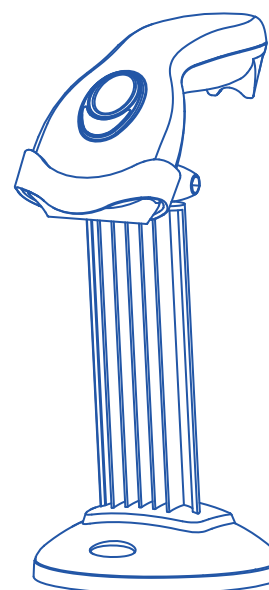
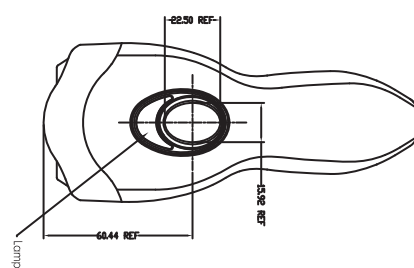
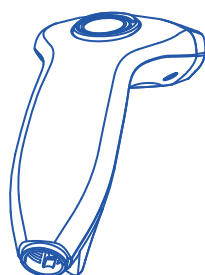
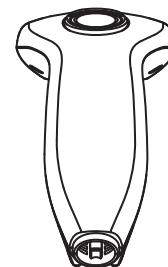
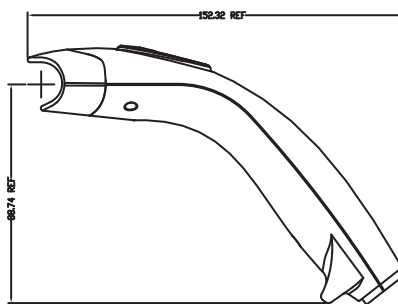
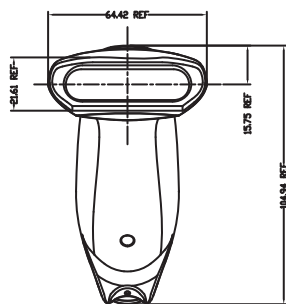


HANDHELD SCANNER

- Product availability and specifications depend on territory market strategy; all are subjects to change without prior notice.
- ZEBEX is the trademark of ZEBEX INDUSTRIES INC, all rights reserved.

Z-300x / Z-310x Handheld CCD/Laser Scanner



Units: mm(inch)
Ver. 2007/05/28