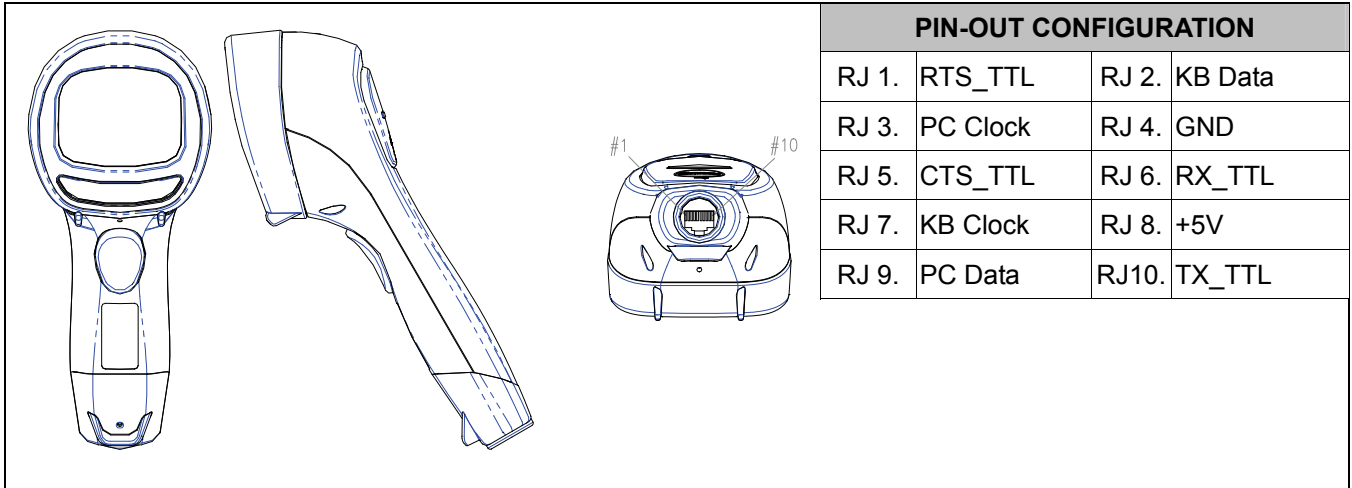
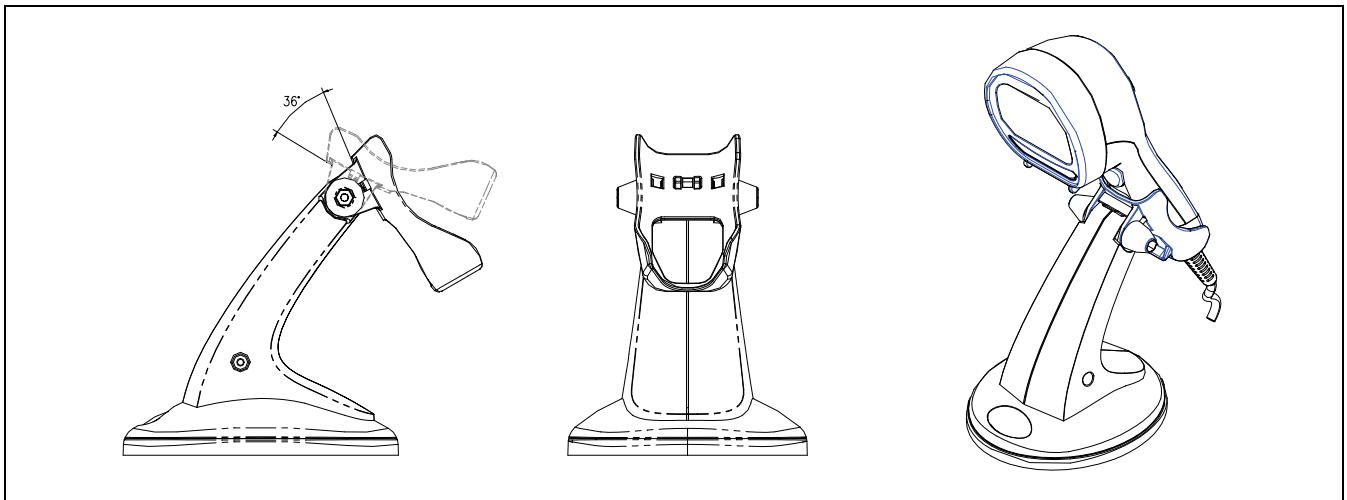


Z-3060 Handheld Omnidirectional Laser Scanner

Standard Device

















Standard Accessory



Description	Stand for Z-3060	
Barcode	P/N	REMARK
	883-60HL00-000	White Housing
	883-60HL00-001	Black Housing
	883-60HL00-0NB	White Housing w/o ZEBEX logo
	883-60HL00-0N1	Black Housing w/o ZEBEX logo

[Buyer's Guide]

Ordering Information (Stand included for standard package)

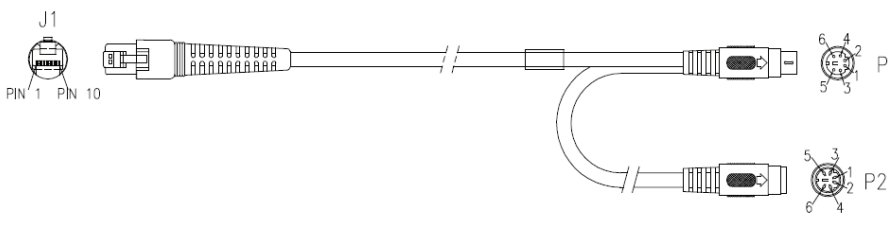
Barcode	P/N	Model Name	Remark
	883-600000-000	Z-3060	White Housing (Device Only w/o Stand)
	883-600000-001	Z-3060 (B)	Black Housing (Device Only w/o Stand)
	883-6000KP-000	Z-3060 (K)	White Housing w/PS/2 Cable
	883-6000KP-001	Z-3060 (K)(B)	Black Housing w/PS/2 Cable
	883-6000RP-000	Z-3060 (R)	White Housing w/RS-232 Cable (DTE pin-out)
	883-6000RP-001	Z-3060 (R)(B)	Black Housing w/RS-232 Cable (DTE pin-out)
	883-6000UB-000	Z-3060 (U)	White Housing w/USB Cable
	883-6000UB-001	Z-3060 (U)(B)	Black Housing w/USB Cable
	883-600000-0NB	Z-3060	White Housing w/o Logo (Device Only w/o Stand)
	883-600000-0N1	Z-3060 (B)	Black Housing w/o Logo (Device Only w/o Stand)
	883-6000KP-0NB	Z-3060 (K)	White Housing w/PS/2 Cable w/o Logo
	883-6000KP-0N1	Z-3060 (K)(B)	Black Housing w/PS/2 Cable w/o Logo
	883-6000UB-0NB	Z-3060 (U)	White Housing w/USB Cable w/o Logo
	883-6000UB-0N1	Z-3060 (U)(B)	Black Housing w/USB Cable w/o Logo


[Buyer's Guide]

Cable Options

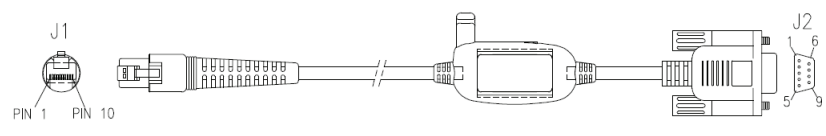
- The standard cable is gray, straight, and 2 meters (6.5 feet) in length.
- The standard cable options include PS/2, RS-232, and USB cable.
- Special Order Requirement:
ZEBEX is capable of supplying special customized cables, given that customers provide detailed pin configurations. Please contact your sales representative to further discuss the minimum order quantity of the special cables.



1. Keyboard Wedge Cable (for PS/2)

	PIN-OUT CONFIGURATION	
	MINI DIN (M)	MINI DIN(F)
1. PC Data	1. KB Data	
2. N.C.	2. N.C.	
3. GND	3. GND	
4. +5V	4. +5V	
5. PC Clock	5. KB Clock	
6. N.C.	6. N.C.	

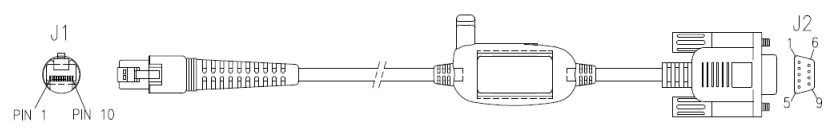
Item Part No. 171-10K102-200 



2. RS-232C Communication Cable (DTE pin out)

	PIN-OUT CONFIGURATION	
	DB-9 (F)	FUNCTION
2	TX	
3	RX	
7	CTS	
8	RTS	
5	GND	
9	+5V Input	

Item Part No. 171-10R442-200 
171-10R443-200 

RS-232C Communication Cable (DCE pin out) (non-standard option)

	PIN-OUT CONFIGURATION	
	DB-9 (F)	FUNCTION
2	RX	
3	TX	
7	RTS	
8	CTS	
5	GND	
9	+5V Input	

Item Part No. 171-10R432-200 
171-10R433-200 

[Buyer's Guide]

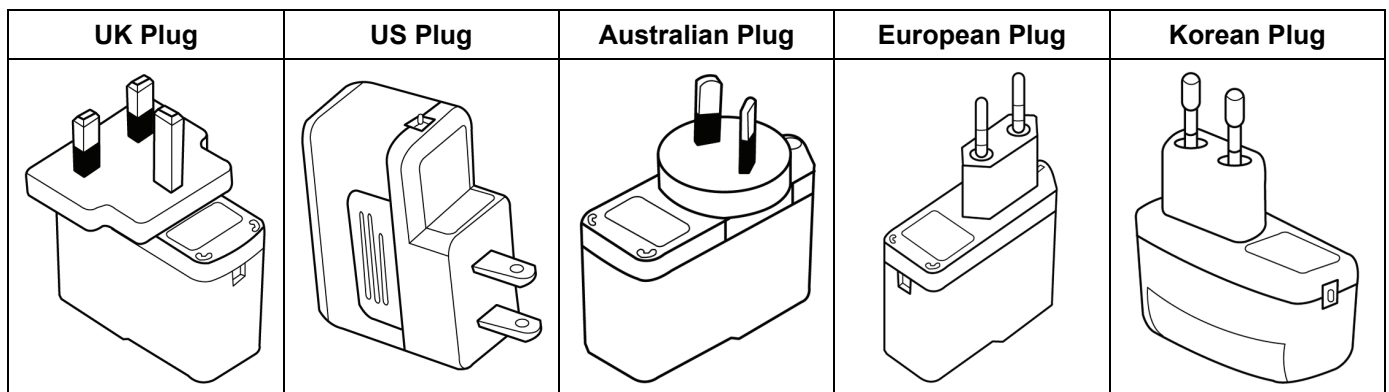
3. USB Interface

			PIN-OUT CONFIGURATION	
			USB TYPE A CONNECTOR	FUNCTION
			1.	VCC
			2.	D-
			3.	D+
4.	VSS			
Virtual COM USB (non-standard option)	Item Part No.	171-10U300-200		
HID / OPOS USB	Item Part No.	171-10U322-200		

- * HID USB, virtual COM USB and OPOS USB interface are of the same pin-out but different part number.
- * Additional software and special firmware may be required for activating virtual COM or OPOS USB interface.

Power Adapter

The device requires a minimum of 200mA at 5 VDC power and consumes power from the host machine. If the host can not supply sufficient power, ZEBEX provides adapters of the following plug types:



* The figures are for reference only. The adaptor form factor is subject to change without prior notice.