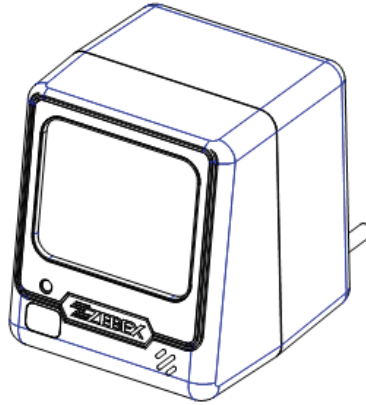


# [ Buyer's Guide ]

## A-50M Plus Omnidirectional Laser Scan Module

### Standard Device



Barcode	P/N	Model Name	Remark
	88M-50PLRP-001	A-50M Plus (R)	w/200cm RS-232 cable (DTE pin-out)
	88M-50PLUB-001	A-50M Plus (U)	w/200cm USB cable
	88M-50PLUR-001	A-50M Plus (UR)	w/200cm USB cable (Virtual com setting)
	88M-50PLRP-0N1	A-50M Plus (R)	w/200cm RS-232 cable (DTE pin-out) w/o ZEBEX logo
	88M-50PLUB-0N1	A-50M Plus (U)	w/200cm USB cable w/o ZEBEX logo

### Cable Options

- The standard RS-232 cable is black, straight, and 2 meters in length. The standard USB cable is black, straight, 2 meters in length
- The standard cable options include RS-232 and USB cable.
- Special Order Requirement:  
ZEBEX is capable of supplying special customized cable, given that customers provide detailed pin configurations. The minimum order quantity of a special cable is 250 pcs.

#### 1. RS-232C interface uses detachable cable

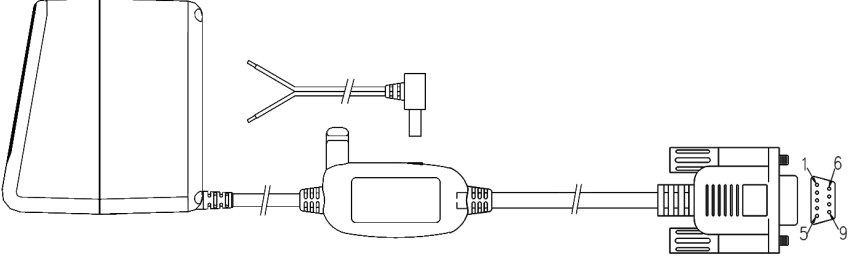

DTE Pin-Out

	<b>DB-9 (F)</b>	<b>FUNCTION</b>
	2	TX
	3	RX
	7	CTS
	8	RTS
	5	GND
	9	+5V Input
<b>Item Part No.</b>	170-50R424-200 (200cm)	

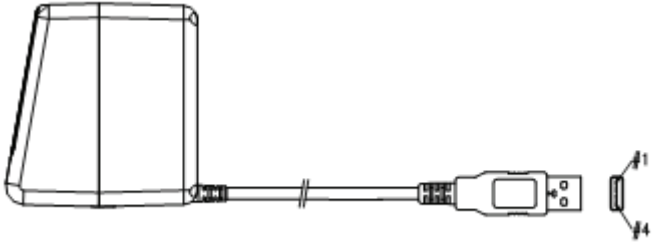

# [ Buyer's Guide ]



## DTE Pin-Out (non-standard option)

	<b>DB-9 (F)</b>	<b>FUNCTION</b>
	2	TX
	3	RX
	7	CTS
	8	RTS
	5	GND
9	+5V Input	
<b>Item Part No.</b>	170-50R425-050 (50cm)	

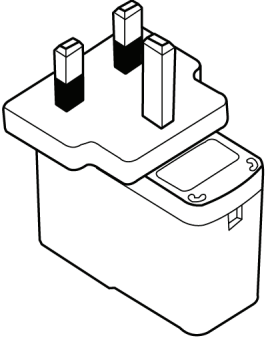
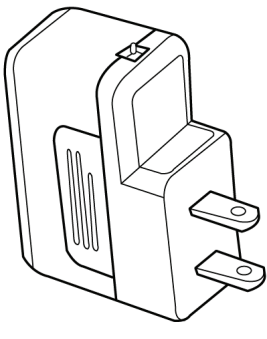
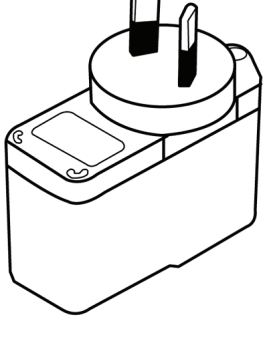
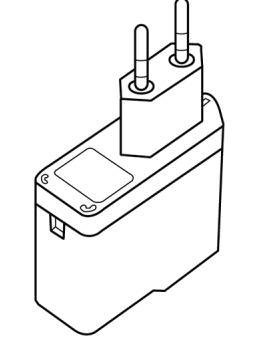
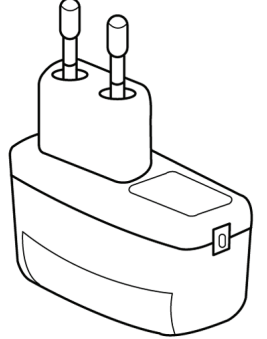
## 2. USB Interface

	<b>USB TYPE A CONNECTOR</b>	<b>FUNCTION</b>	
	1.	VCC	
	2.	D-	
	3.	D+	
4.	VSS		
<b>OPOS USB</b>	<b>Item Part No.</b>	170-50U303-200 (200cm)	

\* Additional software and special firmware may be required for activating OPOS USB interface.

## Power Adapter

A-50M Plus requires a minimum of 300mA at 5 VDC power and consumes power from the host machine. If the host can not supply sufficient power, ZEBEX provides adapters of the following plug types:

UK Plug	US Plug	Australian Plug	European Plug	Korean Plug
				

\* The figures are for reference only. The adaptor form factor is subject to change without prior notice.